

# eGauge 3 Series

## Specifications

### General

Warranty: 2 years, 5 years  
 Logging Values: V, A, W, Wh, Hz, VA, VAR, THD, deg

### Measurement Capacity

Voltage: 3 channels:  
     85-277Vrms (L1-N)  
     0-277Vrms (L2-N, L3-N)  
 Current: 12 channels, up to 4800A  
 Power: Any voltage/current combination  
 Frequency: 50 or 60 Hz

### Regulatory

Safety: Conforms to UL/IEC STD 61010-1  
 Certified to CAN/CSA STD C22.2 No. 61010.1  
 Conforms as Listed Device  
 Lead-free, RoHS compliant  
 FCC: CISPR 11 Group 1 class B  
 FCC 47CFR 15 class B

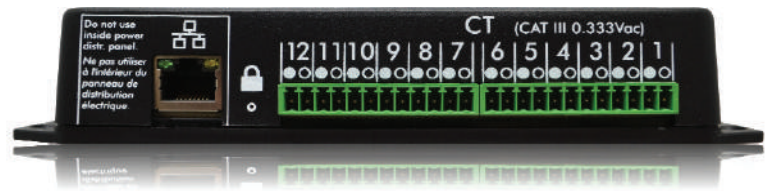
### User Interface

Compatible web browsers:  
 Google Chrome  
 Firefox 2+  
 Safari 3.1+  
 Internet Explorer 9+

### Communication

HomePlug AV: Compatible with HomePlug AV adapter within ~100ft. on same phase as L1 terminal  
 Ethernet: IEEE 802.3 - LAN  
 Wi-Fi: 150 Mbps data rate  
 Complies with 802.11b/g/n  
 64/128-bit WEP & WPA security  
 WPA2 for high security

*eGauge is a flexible, secure, web-based electric energy and power meter that can measure up to 12 circuits on up to 3-phases (120V-480V, 50-60Hz).*



### Product Capabilities

	EG3000	EG3010	EG3020
Ethernet Port	✓	✓	✓
PLC		✓	
Wi-Fi			✓
Revenue-Grade†	✓	✓	✓
120-277vac (Ø-N)	✓	✓	✓
4w/3p	✓	✓	✓
3w/2p	✓	✓	✓
0-4800A	✓	✓	✓
12 CT Channels	✓	✓	✓
4800 Amps Max	✓	✓	✓
Renewable Gen.	✓	✓	✓
CSV Export	✓	✓	✓
16/64 Registers*	✓	✓	✓
UI Firmware	✓	✓	✓

### \* Database Storage Capacity

The EG30xx model has two database options: 16 and 64 register. They differ in how long and with what granularity data is stored. Both options have 10 minutes of data at one-second granularity in volatile memory.

	1 min average	15 min average	1 hr average
16 Register Database	1 year	29 years	—
64 Register Database	1 year	—	6 years

## Environmental Conditions

Operating Temp: -30°C to 70°C (-22°F to 158°F)  
 Max Altitude: 4000m (13,000 ft)  
 Max Humidity: 80% up to 31°C  
 Meas. Category: III (fixed installation)  
 Location: Indoor or outdoor (in NEMA 4 Enclosure)  
 Pollution Degree: 2

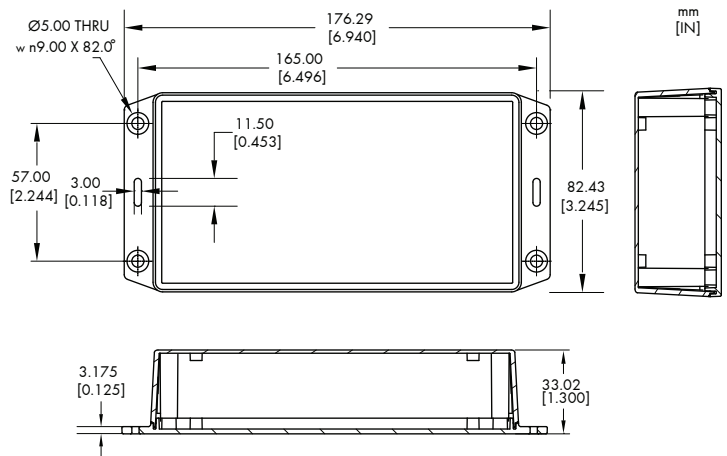
## Revenue-Grade Accuracy

†Accuracy Options: (A000) ANSI C12.1 - 1%  
 (A010) ANSI C12.1 - 1% with Certificate  
 (A005) ANSI C12.20 - 0.5% with Certificate

Revenue-grade accuracy requires the use of model ACT-xxxx-xxx CTs  
 Contact eGauge sales for more information

## Enclosure

Material: Flame-retardant ABS (UL94-V0)  
 Size: 176x83x33mm (6.94x3.25x1.31IN)  
 Weight: 220g (8oz)



## Current Transformers

CT TYPE	CURRENT (A)																						
	5	10	15	20	30	50	75	100	150	200	250	300	400	600	800	1000	1200	1500	2000	3000	4000	4800	
<b>MagneLab (SCT-xxxx-xxx)</b>																							
0.4" inner diameter	✓	✓	✓	✓	✓	✓	✓																
0.75" inner diameter	✓	✓		✓	✓	✓		✓	✓	✓													
1.25" inner diameter						✓		✓	✓	✓	✓	✓	✓										
2" inner diameter								✓		✓		✓	✓	✓	✓	✓	✓	✓					
<b>CCS Accu-CT (ACT-xxxx-xxx)</b>																							
0.78" inner diameter						✓		✓		✓	✓		✓	✓									
1.25" inner diameter										✓		✓	✓										
<b>CR Magnetics DC CT</b>																							
0.79" inner diameter		✓			✓	✓		✓	✓			✓											
<b>Rogowski Coil</b>																							
6" inner diameter	LINEAR ACCURACY FROM 50A TO 4800A																						

## Wire Gauge Sizing\*\*

AWG/kcmil	DIAMETER (IN)	AWG/kcmil	DIAMETER (IN)	AWG/kcmil	DIAMETER (IN)	AWG/kcmil	DIAMETER (IN)
12	0.127	4	0.317	0	0.474	250	0.678
10	0.160	3	0.344	00	0.518	300	0.730
8	0.212	2	0.375	000	0.568	350	0.777
6	0.248	1	0.435	0000	0.624	400	0.821

\*\*Sizes based on approximate outer diameters of THHN cable. Should be used only as a guide.