

**CHUBB
INSURANCE**

250W~255W

POLYCRYSTALLINE MODULE 60x6"

Characteristics & Performance

- Use of only certified materials at highest quality standards.
- The process of cell and module production is fully automated with 100% quality control and product traceability.
- Heavy load mechanical resistance: TÜV certified (5400Pa tested against snow and 2400Pa test against wind)
- Excellent performances even during low solar radiation
- Guaranteed positive tolerance 0 to +3% of power for each module

Certifications for Incentives

■ Quality, Environment, Health & Safety

ISO9001:2008, ISO14001:2004, OHSAS18001:2007

Full Member PV Cycle Association AISBL

■ Product Certifications

Quality and Robustness: IEC61215:2005

Safety: IEC61730 -1/-2, MCS, CEC

Resistance to salt corrosion (salt fog): IEC61701:2000

Resistance to ammonia fumes: Ammonia Resistance Test

25 Year Linear Power Guarantee

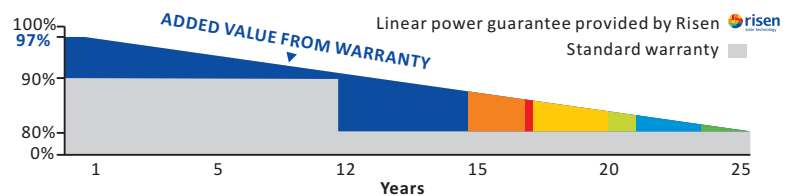
■ Commercial

12 years on material and manufacturing defects

■ Performance

Power not less than 90% of power peak during the first 12 years

Power not less than 80% of power peak during the subsequent 13 years.



Qualified: IEC61215
Qualified: IEC61730



C US

Risen Energy (Australia) Pty Ltd

Address:3/450 Princes Highway,

Noble Park, VIC 3174, Australia

Tel:03 9021 7788

Fax:03 9795 9601

E-mail:info@risenenergyaustralia.com.au

Win Solar Sunshine Coast

16/82 Sugar Road Maroochydore QLD 4558

Tel:61 7 3123 2803

E-mail:rob.simmonds@winsolarwholesale.com.au

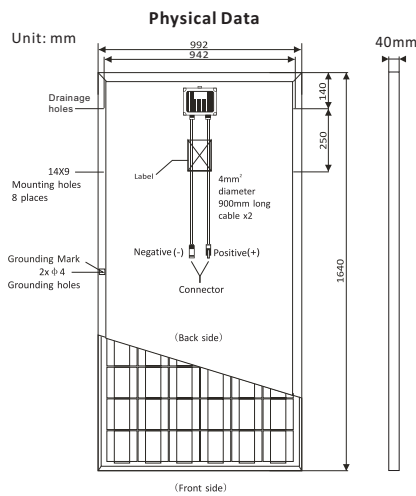
Win Solar Gold Coast

3/53 Newheath Drive Arundel Qld 4214

Tel:61 7 5573 7358

E-mail:barrie.george@winsolarwholesale.com.au

Available at Risen Melbourne,
Win Solar Gold Coast and Sunshine
Coast!



Electrical Characteristics at STC

Type		RSM60-6-250P	RSM60-6-255P
Maximum Power	P _{max} (W)	250W	255W
Tolerance Value for Power	%	0~+3%	0~+3%
Maximum Power Voltage	V _{mpp} (V)	30.30	30.50
Maximum Power Current	I _{mpp} (A)	8.26	8.38
Open Circuit Voltage	V _{oc} (V)	37.30	37.40
Short Circuit Current	I _{sc} (A)	8.90	9.05
Module Efficiency	η	>15.37%	>15.67%

Performance at STC: Irradiance of 1000W/m², Module temperature 77±3.6^oF (25±2^oC)
AM 1.5 Power measurement tolerance: ±3%

Electrical Characteristics at NOCT

Type		RSM60-6-250P	RSM60-6-255P
Maximum Power	P _{max} (W)	183.20	187.40
Maximum Power Voltage	V _{mpp} (V)	27.50	27.60
Maximum Power Current	I _{mpp} (A)	6.66	6.79
Open Circuit Voltage	V _{oc} (V)	34.30	34.40
Short Circuit Current	I _{sc} (A)	7.11	7.23

Performance at NOCT: Irradiance 800W/m², Ambient temperature 20^oC, Wind speed 1m/S
Power measurement tolerance: ±3%

Temperature Coefficients(Tc)

NOCT(Nominal Operating Cell temperature)	45±2 ^o C
Temperature Coefficient of VOC(β)	-0.33%/ ^o C
Temperature Coefficient of ISC(α)	+0.033%/ ^o C
Temperature Coefficient of Pmax	-0.39%/ ^o C

Permissible Operating Conditions

Maximum System Voltage	1000 V
Operating Temperature Range	-40 ^o C ~ +85 ^o C
Maximum Surface Load Capacity	Test up to 5400Pa according to IEC61215 (Advanced test)
Resistance Against Hail	Maximum diameter of 1in.(25mm) impact speed of 51.5mph(23m/s)

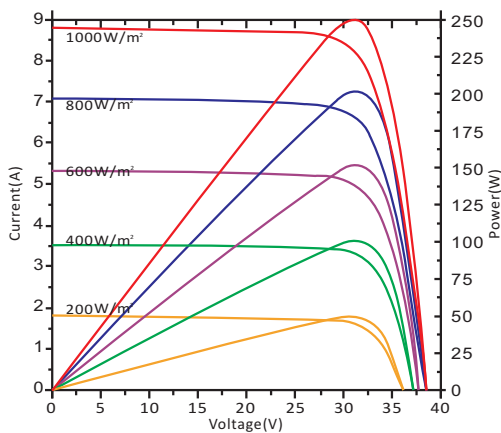
Mechanical specifications

Cells	Polycrystalline cell with 3-busbars,6"(6x10)
Junction Box	IP67,combined with 3 by-pass diodes
Front Glass Thickness	3.2mm
Connecting Cable/Connector	MC4 compatible connector/4mm ² diameter, 900mm length
Frame Dimension	1640x992x40mm
Weight	19.5KG

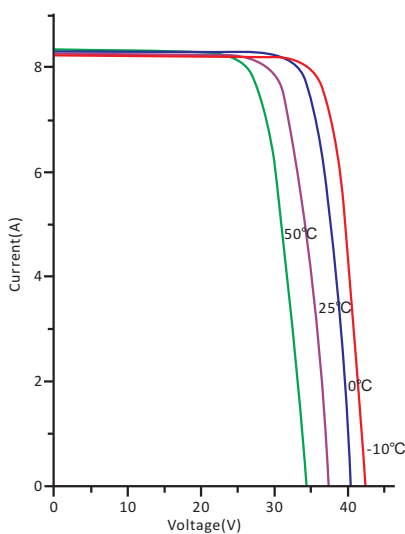
Packing Features

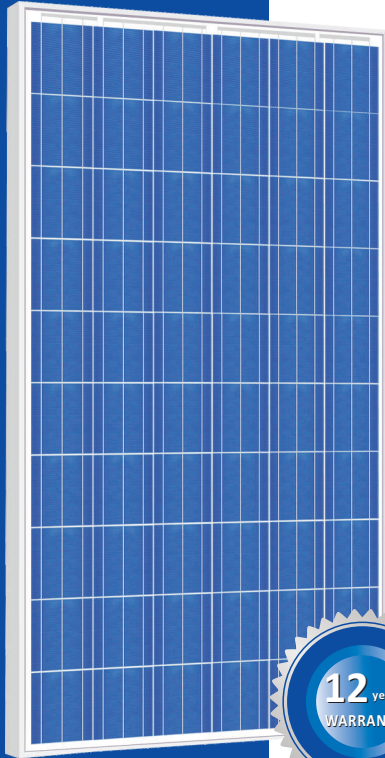
Frame Height	40mm
Qty/Pallet (PCS)	26
Qty/40HC container (PCS)	728

RSM60-6-250P
Electrical characteristics at different irradiancies (25^oC)



I-V characteristics at different cell temperatures (AM1.5, 1000W/m²)





**CHUBB
INSURANCE**



260W

POLYCRYSTALLINE MODULE 60x6"

Characteristics & Performance

- Use of only certified materials at highest quality standards.
- The process of cell and module production is fully automated with 100% quality control and product traceability.
- Heavy load mechanical resistance: TÜV certified (5400Pa tested against snow and 2400Pa test against wind)
- Excellent performances even during low solar radiation
- Guaranteed positive tolerance 0 to +3% of power for each module

Certifications for Incentives

■ Quality, Environment, Health & Safety

ISO9001:2008, ISO14001:2004, OHSAS18001:2007

Full Member PV Cycle Association AISBL

■ Product Certifications

Quality and Robustness: IEC61215:2005

Safety: IEC61730 -1/-2, MCS, CEC

Resistance to salt corrosion (salt fog): IEC61701:2000

Resistance to ammonia fumes: Ammonia Resistance Test

25 Year Linear Power Guarantee

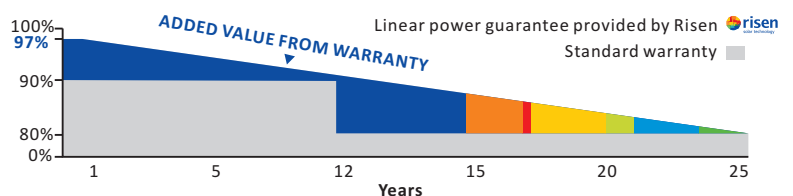
■ Commercial

12 years on material and manufacturing defects

■ Performance

Power not less than 90% of power peak during the first 12 years

Power not less than 80% of power peak during the subsequent 13 years.



Risen Energy (Australia) Pty Ltd

Address:3/450 Princes Highway,

Noble Park, VIC 3174, Australia

Tel:03 9021 7788

Fax:03 9795 9601

E-mail:info@risenenergyaustralia.com.au

Win Solar Sunshine Coast

16/82 Sugar Road Maroochydore QLD 4558

Tel:61 7 3123 2803

E-mail:rob.simmonds@winsolarwholesale.com.au

Win Solar Gold Coast

3/53 Newheath Drive Arundel Qld 4214

Tel:61 7 5573 7358

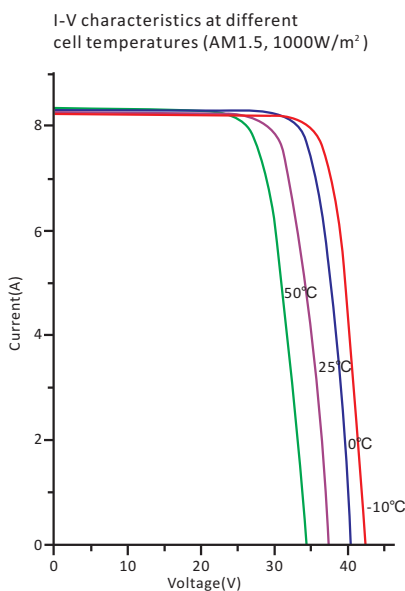
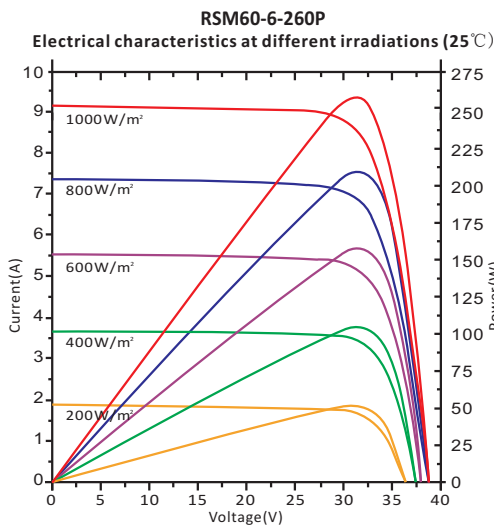
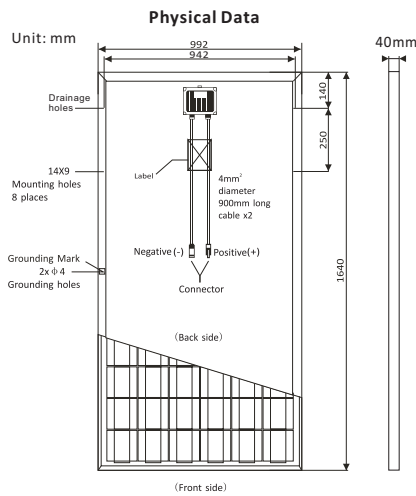
E-mail:barrie.george@winsolarwholesale.com.au

Available at Risen Melbourne,
Win Solar Gold Coast and Sunshine
Coast!



Qualified: IEC61215
Qualified: IEC61730





Electrical Characteristics at STC

Type		RSM60-6-260P
Maximum Power	P _{max} (W)	260W
Tolerance Value for Power	%	0~+3%
Maximum Power Voltage	V _{mpp} (V)	30.50
Maximum Power Current	I _{mpp} (A)	8.53
Open Circuit Voltage	V _{oc} (V)	37.50
Short Circuit Current	I _{sc} (A)	9.24
Module Efficiency	η	>15.98%

Performance at STC: Irradiance of 1000W/m², Module temperature 77±3.6°F (25±2°C)
AM 1.5 Power measurement tolerance: ±3%

Electrical Characteristics at NOCT

Type		RSM60-6-260P
Maximum Power	P _{max} (W)	189.28
Maximum Power Voltage	V _{mpp} (V)	27.80
Maximum Power Current	I _{mpp} (A)	6.81
Open Circuit Voltage	V _{oc} (V)	34.50
Short Circuit Current	I _{sc} (A)	7.32

Performance at NOCT: Irradiance 800W/m², Ambient temperature 20°C, Wind speed 1m/S
Power measurement tolerance: ±3%

Temperature Coefficients(T_c)

NOCT(Nominal Operating Cell temperature)	45±2°C
Temperature Coefficient of VOC(β)	-0.33%/°C
Temperature Coefficient of ISC(α)	+0.033%/°C
Temperature Coefficient of P _{max}	-0.39%/°C

Permissible Operating Conditions

Maximum System Voltage	1000 V
Operating Temperature Range	-40°C ~ +85°C
Maximum Surface Load Capacity	Test up to 5400Pa according to IEC61215 (Advanced test)
Resistance Against Hail	Maximum diameter of 1in.(25mm) impact speed of 51.5mph(23m/s)

Mechanical specifications

Cells	Polycrystalline cell with 3-busbars,6"(6x10)
Junction Box	IP67,combined with 3 by-pass diodes
Front Glass Thickness	3.2mm
Connecting Cable/Connector	MC4 compatible connector/4mm ² diameter, 900mm length
Frame Dimension	1640x992x40mm
Weight	19.5KG

Packing Features

Frame Height	40mm
Qty/Pallet (PCS)	26
Qty/40HC container (PCS)	728